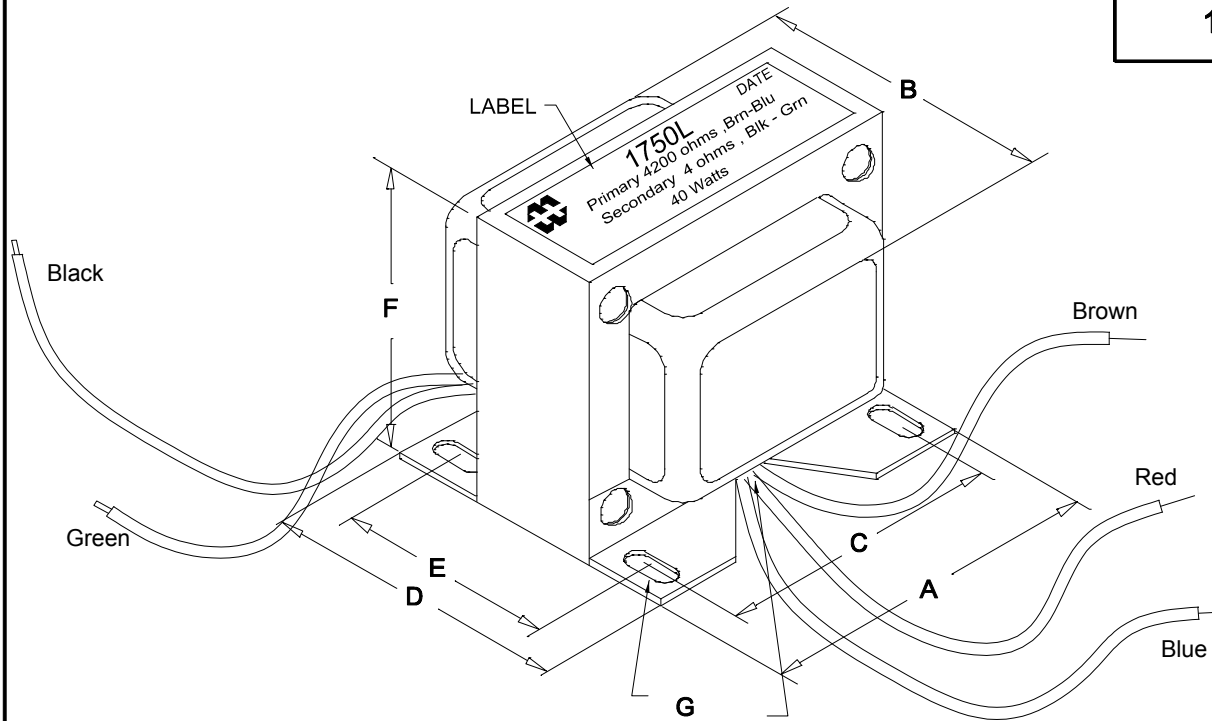


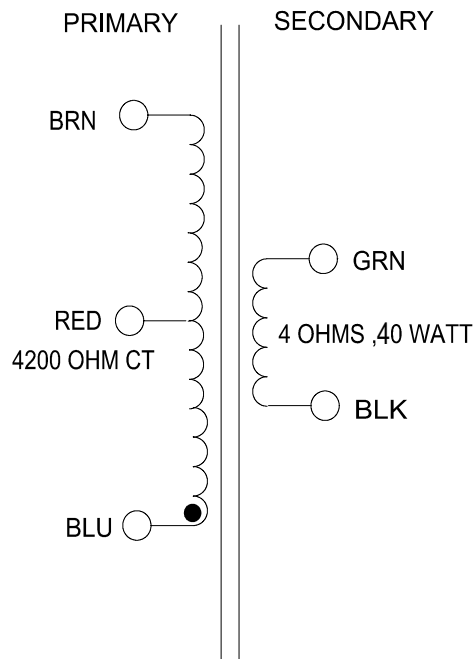
1750L



NOTE: All LEADS 9.0" OUT MIN.

DIMENSIONS:

A	4.050" ±0.063
B	3.050" ±0.125
C	3.500" ±0.063
D	2.490" ±0.063
E	1.940" ±0.063
F	3.460" ±0.063
G	0.187"X 0.300" ±0.015



ELECTRICAL DATA:

Turns ratio:	31.16 : 1
Inductance	@240V,60Hz =>106.10H (Open circuit)
DCR	@ 20C, BLU - BRN =98.6 Ω ±20%
	@ 20C, BLK - GRN =0.170 Ω ±20%
FREQ. RESP	@ 50W, 70Hz - 15kHz REF. TO 1kHz ±1dB
Pri. Impedance	4200 Ω CT, 458 V
Sec. Impedance	4 Ω (124.14 V)
Power	50 WATTS



**HAMMOND
ELECTRONICS**

52 RANKIN PLACE,
WATERLOO, ONTARIO, N2L 3Z5.
PHONE (519) 886-6181
FAX # (519) 886-9540

TITLE

OUTPUT TRANSFORMER

			DR BY IOAN POP
0	05/11/09	PRELIMINARY.	I.P. DATE 05/11/09
NO	DATE	REVISION	DIM IN(X)MM()

1750L