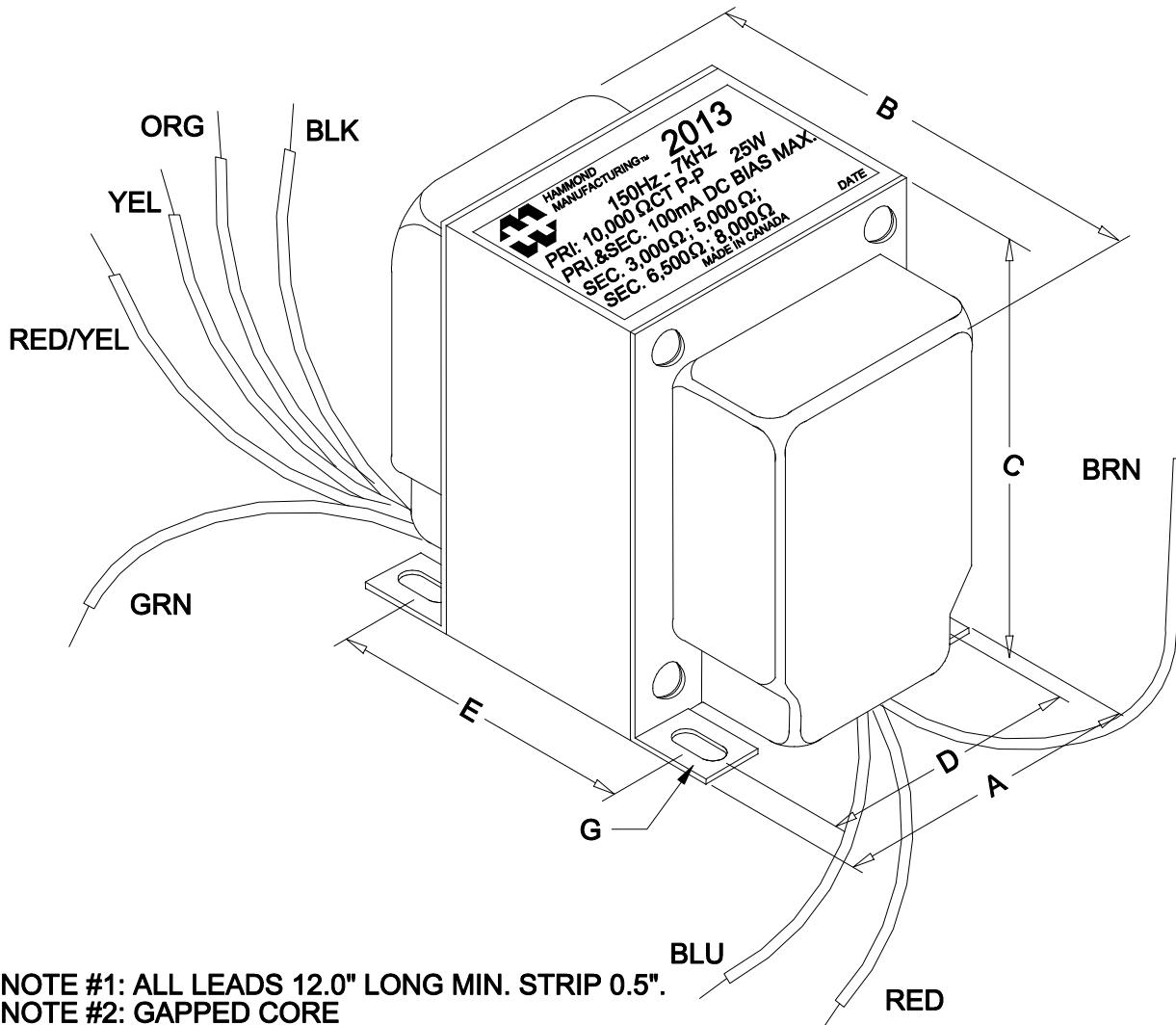
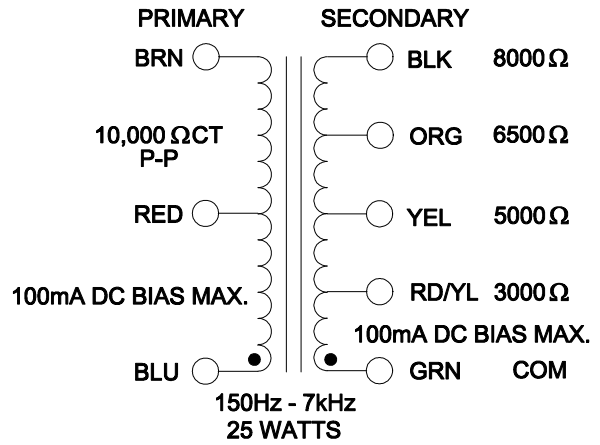


DIMENSIONS:	
A	2.500" ±0.063
B	2.750" ±0.125
C	3.060" ±0.063
D	2.000" ±0.063
E	1.688" ±0.063
G	0.203" X 0.375" ±0.015



NOTE #1: ALL LEADS 12.0" LONG MIN. STRIP 0.5".
NOTE #2: GAPPED CORE



ELECTRONIC DIVISION
52 RANKIN PLACE,
WATERLOO, ONTARIO, N2J 3Z5
PH # (519) 886-6181
FAX # (519) 886-9540

TITLE
PLATE MODULATION TRANSFORMER
(EQUIVALENT TO STANCOR A-3845)

NO	DATE	REVISION	DWG. BY
0	02/04/16	RELEASED.	C.I. CORINA ILIE
			DATE
			02/04/16
			DIM IN (X)MM ()

2013