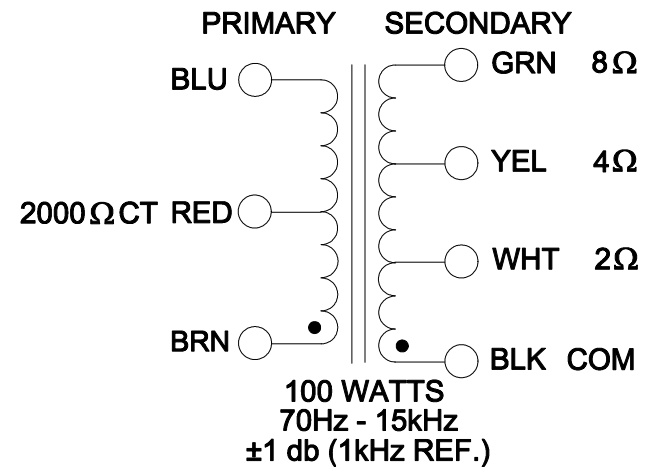
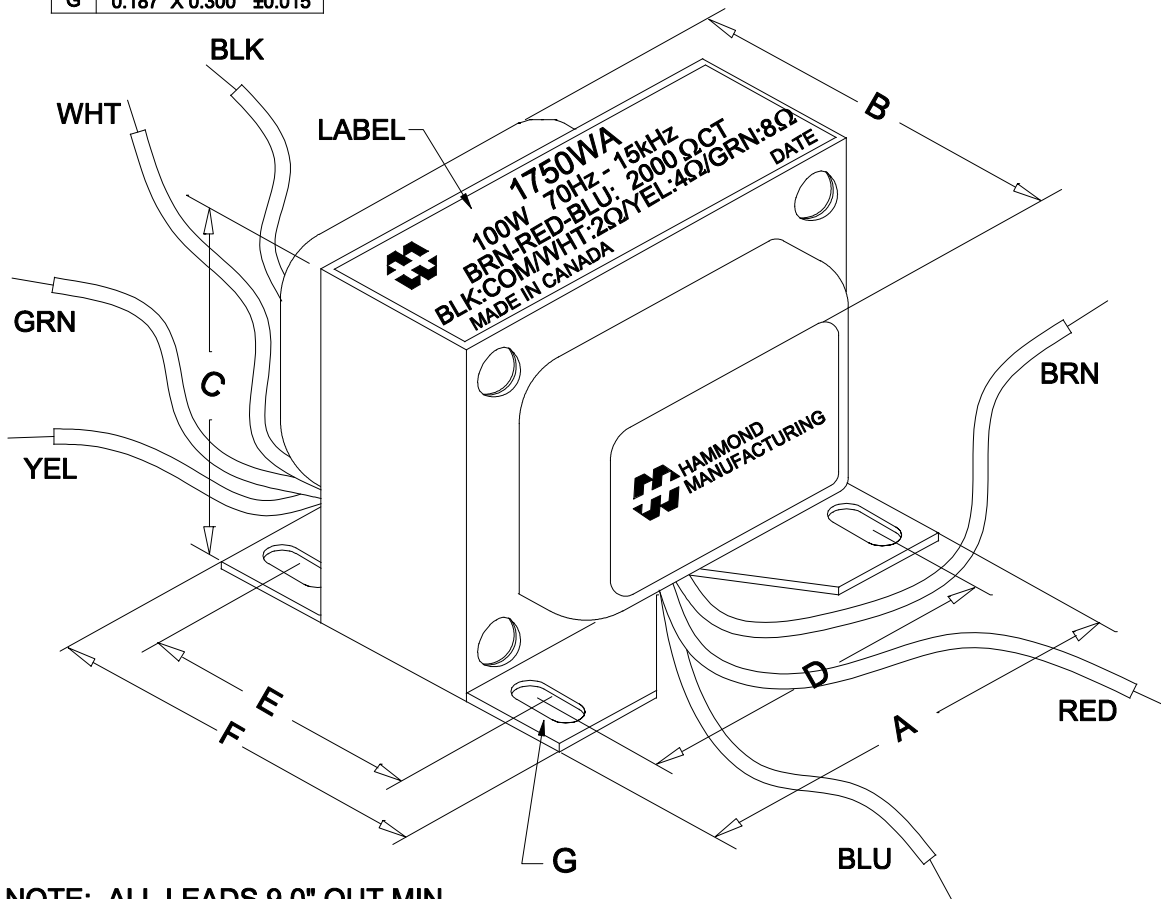


DIMENSIONS:	
A	4.063" ±0.063
B	3.450" ±0.125
C	3.500" ±0.063
D	3.500" ±0.063
E	2.250" ±0.063
F	2.800" ±0.063
G	0.187" X 0.300" ±0.015



NOTE: ALL LEADS 9.0" OUT MIN.

REV.#	REVISION	DATE	HAMMOND MANUFACTURING™		ELECTRONIC DIVISION	
0	PRELIMINARY.	C.I. 01/30/18	52 RANKIN PLACE, WATERLOO, ONTARIO, N2J 3Z5		PH # (519) 886-6181 FAX # (519) 886-9540	
			DWG. BY: C. ILIE	CHK'D BY:	TITLE: OUTPUT TRANSFORMER	DWG. NO. 1750WA
			DATE: 01/30/18	APP'D. BY:	DIMENSIONS: IN(X) MM( )	