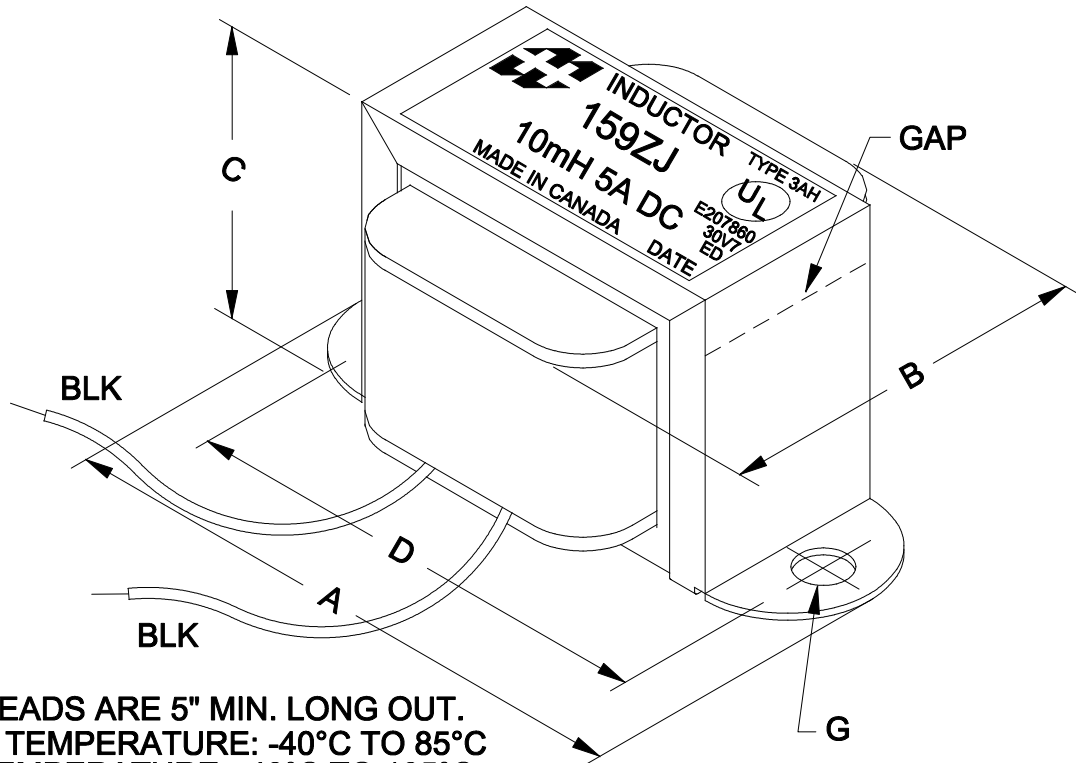
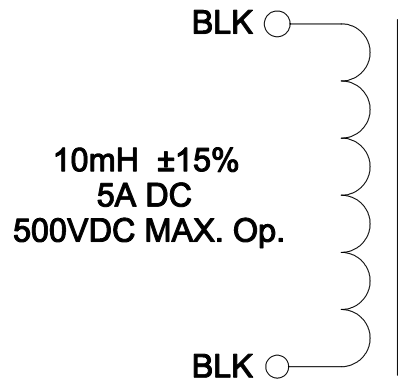


DIMENSIONS:	
A	4.000" ±0.063
B	2.085" ±0.125
C	2.625" ±0.063
D	3.563" ±0.063
G	0.187" ±0.015



NOTE: ALL LEADS ARE 5" MIN. LONG OUT.
OPERATING TEMPERATURE: -40°C TO 85°C
STORAGE TEMPERATURE: -40°C TO 105°C
MANUFACTURED USING CLASS B (130°C) MATERIALS.
RoHS & REACH COMPLIANT

ELECTRICAL DATA:		
TESTS	CONDITIONS	ACCEPTANCE CRITERIA
INDUCTANCE	@ 5V, 60Hz, 5A DC, BLK - BLK	10mH ±15%
DCR	@ 20°C, BLK - BLK =	0.160 Ω ±15%
HIPOT	PRIMARY - SECONDARY	2500V, 60Hz, 1 SEC



ELECTRONIC DIVISION
52 RANKIN PLACE,
WATERLOO, ONTARIO, N2J 3Z5
PH # (519) 886-6181
FAX # (519) 886-9540

TITLE				159ZJ
CHOKE				
NO	DATE	REVISION	DWG. BY	
0	11/27/14	RELEASED.	C.I.	
1	08/12/15	REVISED.	C.I.	
			DATE	
			11/27/14	
			DIM IN(X)MM()	